



Ledermann bar stool light

Cod.10.0607
Design Tom Kelley
Production year 2018

Ledermann bar stool has a wooden frame with 4 legs, in tubular conical shape. Seat and back are covered with leather. Seat with bottom in sheet metal covered with black technical fabric. Back can be completely covered, joining to the seat or just with a leather strap in "light" version.

Structure materials available

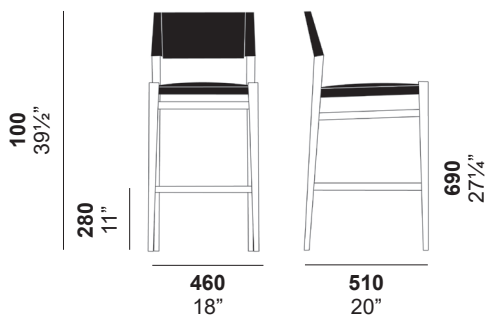
FG - Grey ash
FS - Bleached ash
FR - Natural ash

Covering materials available

CPF - Full grain leather (30 colors)
CTT - Contract leather (15 colors)

To check the available colors, consult the finishing catalogue.

Technical informations



Dimensions
57 x 60 x 105 cm
22½ x 23¾ x 41½ inches

Type Carton



Net weight 6 kg/ 13.2 lb
Gross weight 8 kg/ 17 lb



Volume 0.360 m³

All measurements in
millimetres and inches

Design

Tom Kelley



Born in East-Germany, after political problems and Stasi-Prison he studies in Aachen, Munich and then in Long Beach (California). Initially both painter and designer, brought by his work and studies to Italy, where he lives more or less since 20 years in Venice. He worked for many companies in several countries. Looking always for simplicity, he sees himself as primarily an observer, and believes that after a while all its observations become shapes, colors, projects and words. In these last recent years, in addition to the prominent work as designer, he restored private houses, including the famous Villa of Michael Thonet.



Related products

Chair light



Armchair light



Counter stool light

